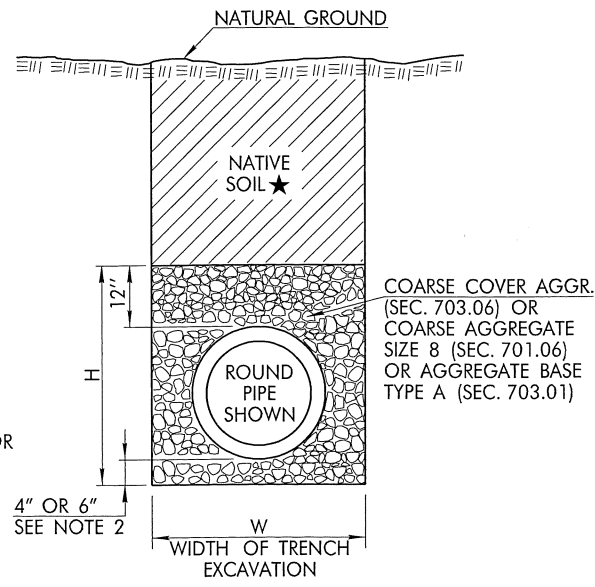
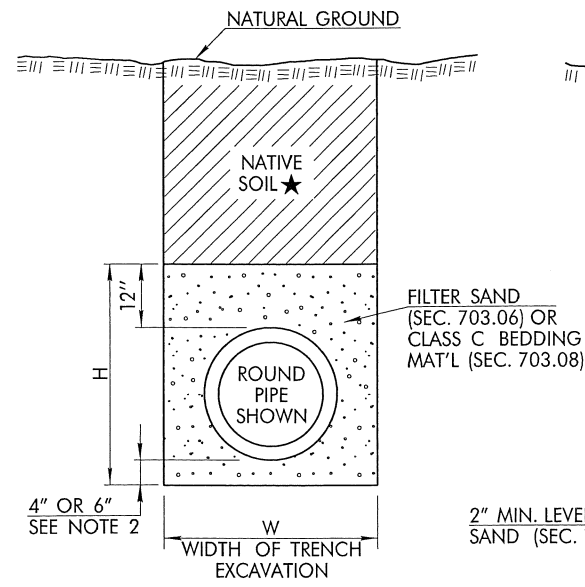


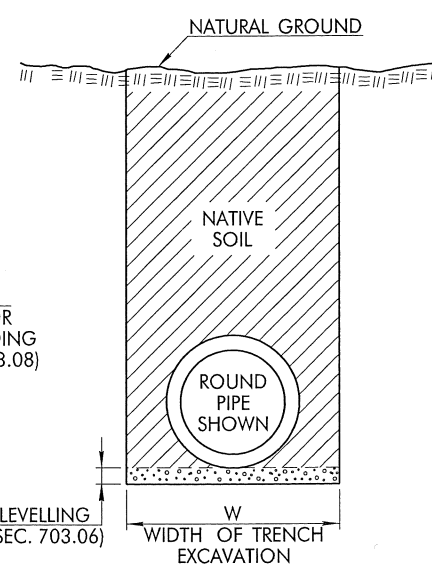
CLASS A BEDDING



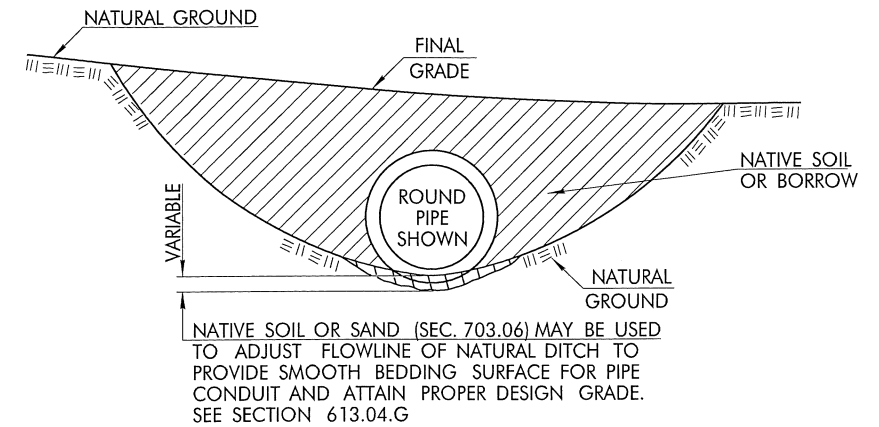
CLASS B BEDDING



CLASS C BEDDING



CLASS D BEDDING ALTERNATE 1



CLASS D BEDDING ALTERNATE 2

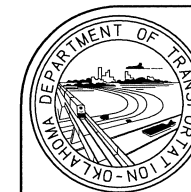
GENERAL NOTES

1. ALL CONSTRUCTION AND MATERIAL REQUIREMENTS SHALL BE IN ACCORDANCE WITH THE 2009 ODOT STANDARD SPECIFICATIONS.
2. EQUIVALENT PIPE SIZES 66 INCHES AND LARGER REQUIRE 6 INCHES OF BEDDING MATERIAL BELOW PIPE CONDUIT.
3. NATIVE SOIL FOR BACKFILL, TO BE COMPACTED IN ACCORDANCE WITH SECTION 202.04 OF THE STANDARD SPECIFICATIONS.
4. A BETTER CLASS OF BEDDING MAY BE SUBSTITUTED FOR THE NEXT LOWER CLASS. EXAMPLE: CLASS A STANDARD BEDDING CAN BE USED IN LIEU OF CLASS B STANDARD BEDDING.
5. FOR TRENCH WIDTH (W), BEDDING HEIGHT (H), PIPE DATA, MULTIPLE PIPE SPACING & BEDDING DATA, SEE ROADWAY STANDARDS SPI-4 & FPI-3.
6. DATA TABLE WILL DISPLAY 'NA' WHEN PIPE MATERIALS ARE NOT ALLOWED.
7. STANDARD BEDDING CLASS D MATERIAL(S) (ALTERNATE 1) WILL BE CONSIDERED AS INCIDENTAL AND NOT BE PAID FOR SEPARATELY. COST FOR BORROW OR FILL MATERIAL, NEEDED FOR ALTERNATE 2, WILL BE INCLUDED IN THE PRICE OF THE PIPE.
8. PIPE MATERIAL(S)/PRODUCT(S) NOT SHOWN IN THE PIPE BEDDING TABLE WILL BE EVALUATED AND APPROVED ON A CASE BY CASE BASIS.
9. ALL TEMPORARY PIPES SHALL BE CLASS D BEDDING UNLESS OTHERWISE SHOWN IN THE PLANS.
10. BEDDING MATERIAL TYPE B, C, AND D, SHALL BE PLACED IN 6" LAYERS AND COMPACTED TO THE SPECIFIED DENSITY USING HAND OPERATED EQUIPMENT ONLY.
- ★ 11. WHEN PIPE INSTALLATION IS UNDER PAVING, IN LIEU OF BACKFILLING WITH NATIVE SOIL, PLACE BEDDING MATERIAL ALL THE WAY TO TOP OF TRENCH.
12. THE USE OF AN ALTERNATE PIPE AND ITS CORRESPONDING BEDDING MATERIAL WILL BE ACCEPTABLE PROVIDED THE CRITERIA IN THE DESIGN TABLE IS MET

PIPE BEDDING CLASS/DESIGN TABLE							
TYPE OF PIPE	■ UNDER PAVING				OUTSIDE PAVING		
	CROSS DRAIN (NHS OR ADT > 6000 VPD)	CROSS DRAIN (OTHER)	STORM SEWER (NHS OR ADT > 6000 VPD)	STORM SEWER (OTHER)	CROSS DRAIN	SIDE DRAIN	STORM SEWER
REINFORCED CONCRETE PIPE	B	C	B	C	C	D	C
CORRUGATED GALV. STEEL PIPE (CGSP)	NA	B	NA	B	C	D	C
MILL PRECOATED CGSP	NA	B	NA	B	C	D	C
CORRUGATED GALV. STRUCT. PLATE	NA	B	NA	B	C	D	C
ALUMINIZED TYPE II CSP	NA	B	NA	B	C	D	C
CORRUGATED POLYETHYLENE / PVC	NA	A	NA	A	B	B	B
POLYVINYL CHLORIDE (SC 40/80 PVC)	NA	NA	NA	NA	NA	NA	NA

■ WHEN THERE IS ANY POSSIBILITY OF THE PAVEMENT BEING WIDENED DURING THE LIFE OF THE DRAINAGE STRUCTURE, THE BEDDING SHALL MEET THE 'UNDER PAVING SECTION' CRITERIA FOR THE FULL EXTENT OF ANY ANTICIPATED EXPANSION TO THE FACILITY.

BASIS OF PAYMENT		
ITEM NO.	ITEM	UNIT
613 (R)	STANDARD BEDDING MATERIAL, CLASS A	C.Y.
613 (S)	STANDARD BEDDING MATERIAL, CLASS B	C.Y.
613 (T)	STANDARD BEDDING MATERIAL, CLASS C	C.Y.



APPROVED BY ROADWAY ENGINEER: *Timothy A. Ngelen* DATE: 02/20/13  
ROADWAY STANDARD

STANDARD PIPE BEDDING